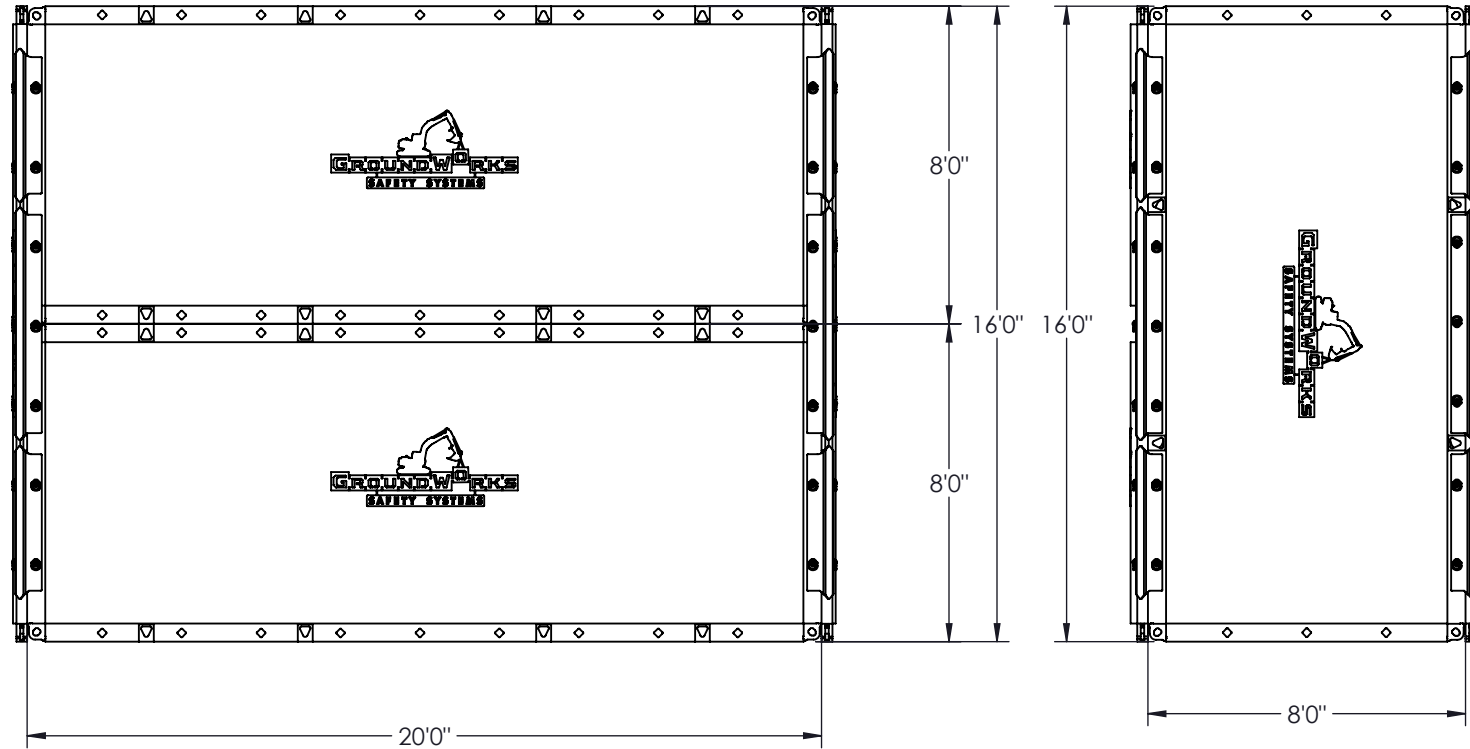
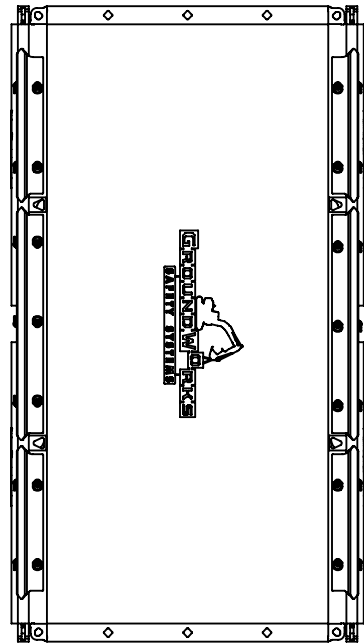
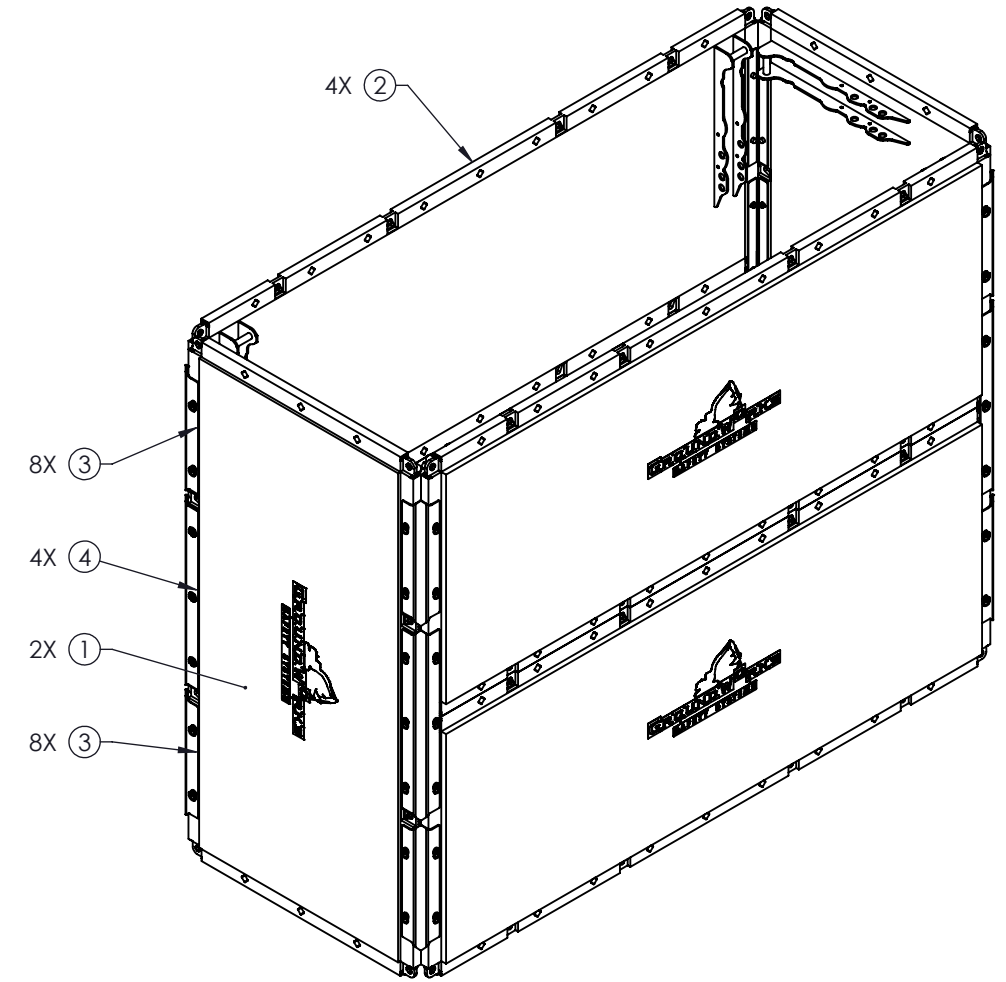
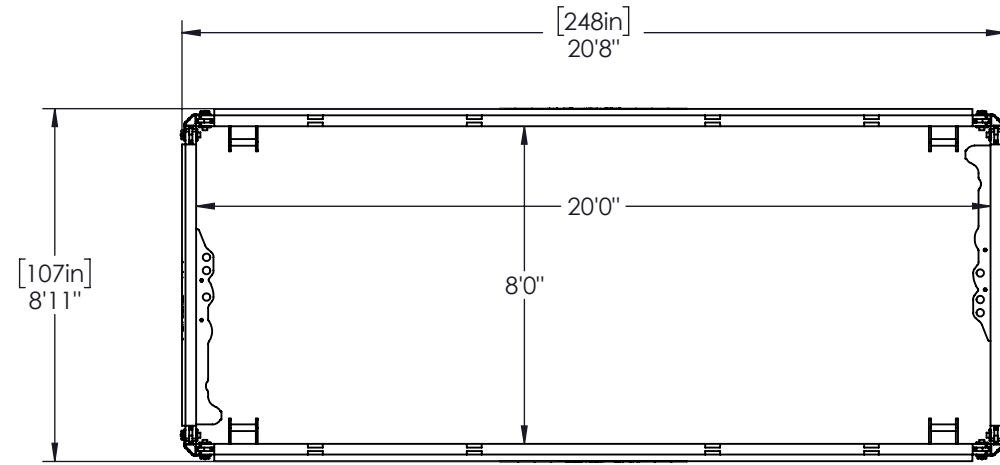



ITEM	Part Config	DESCRIPTION	Config	QTY.	Weight
1	MMB-0816	8'x16' Medium Duty Panel	MM 8X16	2	3140
2	MMB-0820	8'x20' Medium Duty Panel	MM 8X20	4	3485
3	AMB22-4	4-Foot Corner Connector	4 PIN	8	200
4	AMB22-6	6-Foot Corner Connectors	6 PIN	4	330



NOTICE OF CONFIDENTIALITY:
 INFORMATION INCLUDED IN THIS DRAWING
 IS PROPRIETARY, AND IS NOT TO BE
 REPRODUCED, DISTRIBUTED, OR DISCLOSED
 EXCEPT AS SPECIALLY AUTHORIZED IN
 WRITING BY GROUNDWORKS SAFETY
 SYSTEMS, INC.

SCALE: 1:58
 DATE: 2025-06-09
 WEIGHT: 23140 lbs

 4207 53rd Street Close, Innisfail,
 Alberta, T4G 1P9

DWG TITLE:
 MM 8X20 20LX8WX16D_4S